

Made in Switzerland specifically
for anterior hip replacement

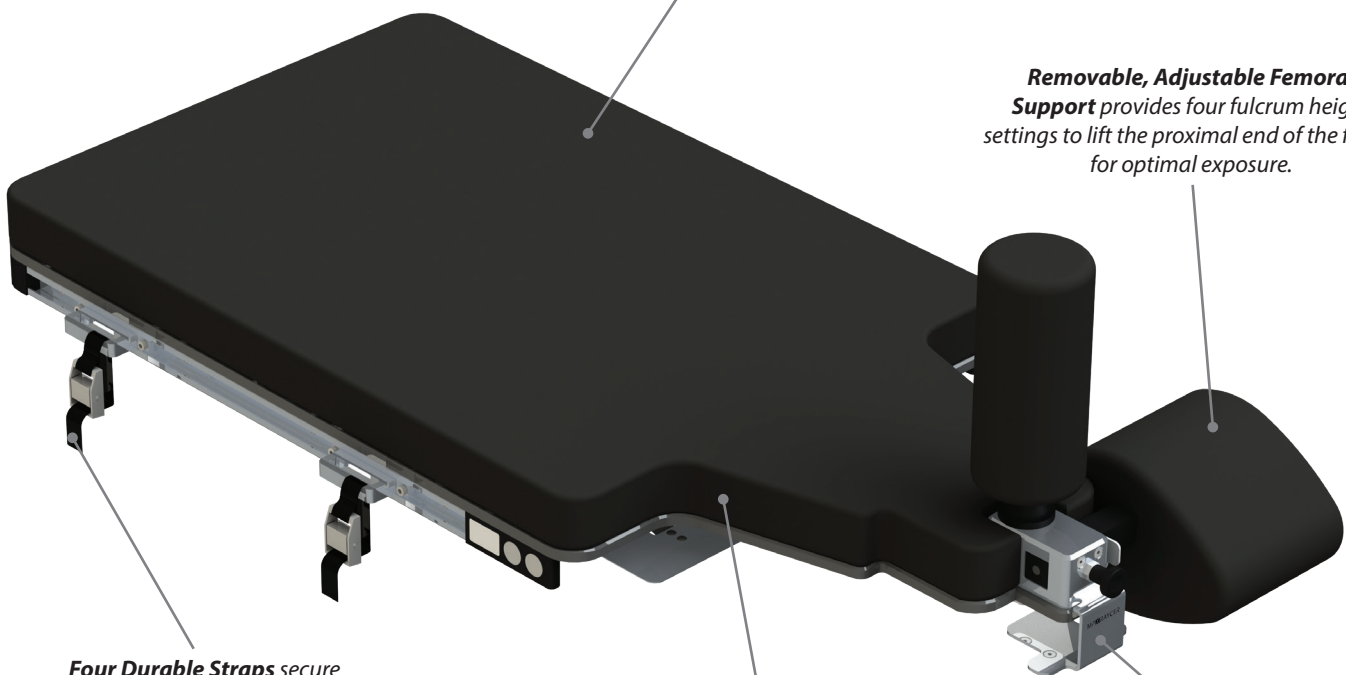


MP XRAYCER

This tabletop accessory improves surgical access and allows x-ray cassettes to be used with standard OR tables for full pelvic x-ray visualization.

Carbon Fiber Construction provides a stable platform for patients and is radiolucent to ensure proper anatomy and implant visualization.

Removable, Adjustable Femoral Support provides four fulcrum height settings to lift the proximal end of the femur for optimal exposure.



Four Durable Straps secure the MP XRAYCER to the side rails of any standard OR table.

Cutouts Under the Hip allow for soft tissue fallout – easing surgical access to the acetabulum.

X-Ray Cassette Holder allows for full pelvic intraoperative x-rays without re-positioning the patient, improving visualization for accurate leg length comparison and proper implant placement.

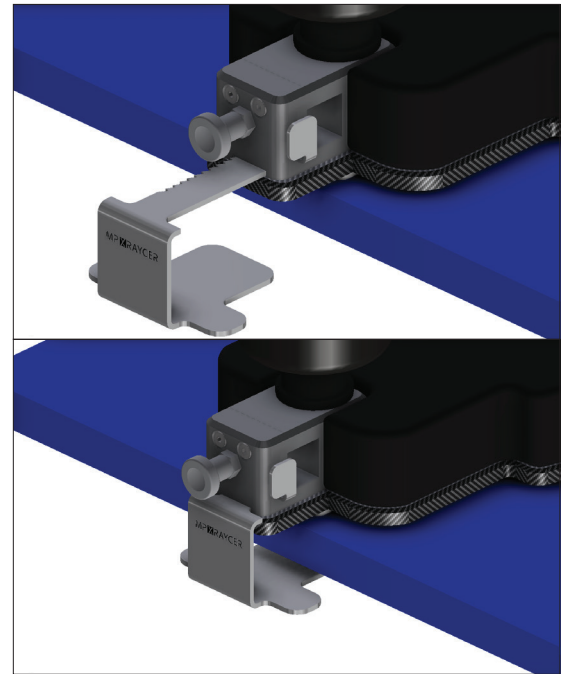


Unleash your surgical genius.

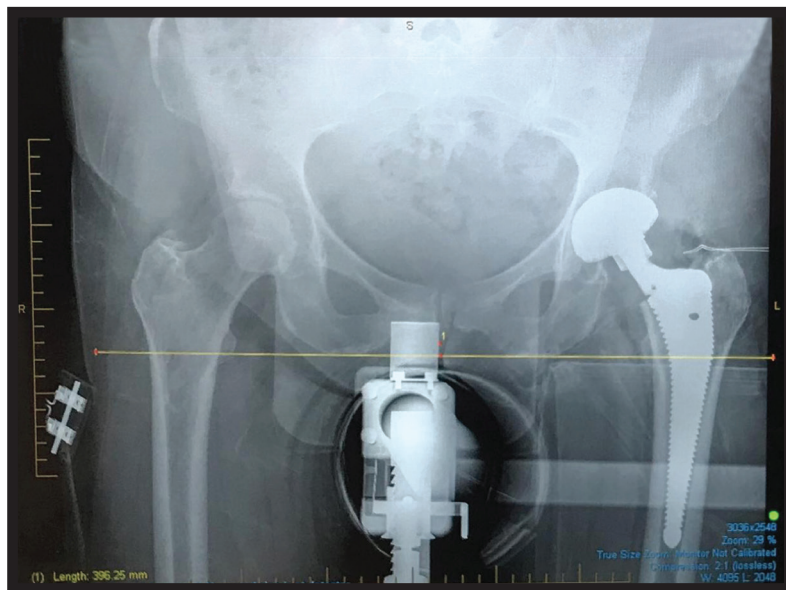
Unrivaled intraoperative visualization.

Features and Advantages:

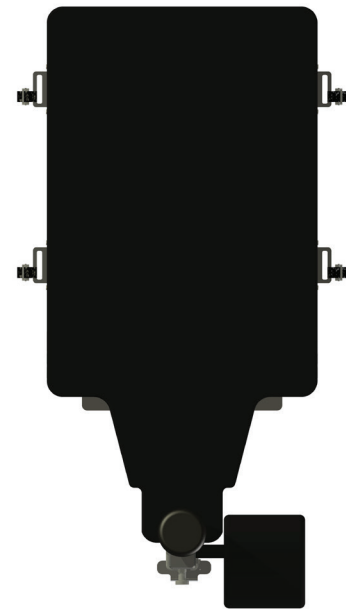
- X-ray cassettes can be firmly and swiftly locked into place using the ratcheting cassette holder
- Compatible with x-ray cassette and grid assemblies up to 17.7 in (45 cm) wide
- Less image distortion compared to C-arm visualization
- Compatible with IOT Opposite Leg Holder
- Removable Perineal Post
- Suitable for patients up to 500 lb. (227 kg)
- also dependent on OR table restrictions



Example x-ray cassette shown in blue



Intraoperative x-ray



IOT (Innovative Orthopedic Technologies) develops specialty solutions for the orthopedic market, with a focus on innovative patient positioning devices that fit seamlessly into the operating environment. We aim to streamline procedures, support repeatability, and literally free the hands of the surgical team.

Unleash your surgical genius.

United States:

Innovative Orthopedic Technologies, LLC

1115 Hwy 124 · Winnie, TX 77665

t: +1 409-658-1017 · e: info@iotiot.com · w: www.iotiot.com

International:

Innovative Orthopedic Technologies IOT AG

Schochenmühlestrasse 4 · CH-6340 Baar · Switzerland

t: +41 41 749 4099 · e: info@iotiot.com · w: www.iotiot.com

Non-contractual pictures. Please carefully read the instructions for use : SUP_7.040_MPXRAYCER_IFU_&_OPERATING_INSTRUCTIONS_EN



MP XRAYCER Brochure_SUP_7.041_EN_Rev02

