



Designed for use with any fracture table or leg positioning system.

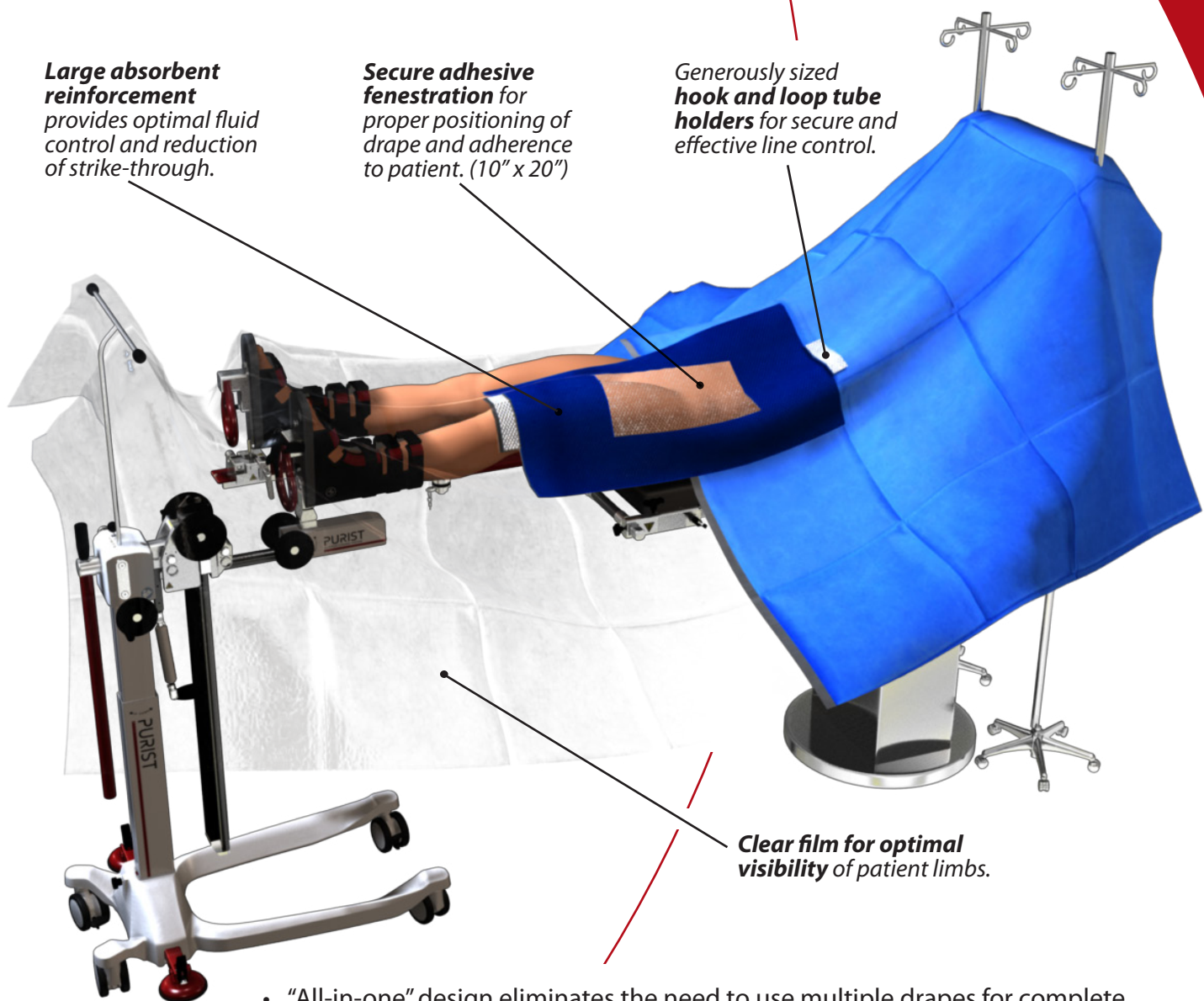
Anterior Hip Drape System

The Anterior Hip Drape System is designed specifically for Anterior Approach THR to enhance efficiency and patient safety.

Large absorbent reinforcement provides optimal fluid control and reduction of strike-through.

Secure adhesive fenestration for proper positioning of drape and adherence to patient. (10" x 20")

Generously sized **hook and loop tube holders** for secure and effective line control.



Clear film for optimal visibility of patient limbs.

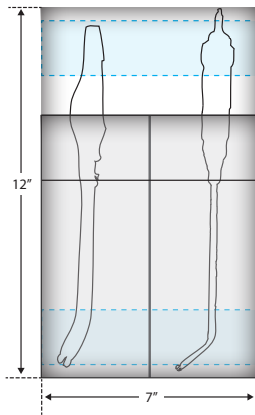
- "All-in-one" design eliminates the need to use multiple drapes for complete sterile coverage.
- Generously sized arm board covers for proper patient coverage and top draping.
- Latex free



Unleashing your surgical genius.

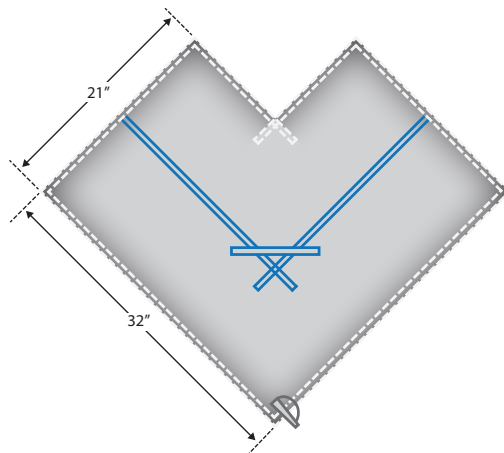
Optional Attachable Fluid Collection and Instrument Pouches are available to complement the IOT Anterior Hip Drape System.

Attachable Instrument Pouch

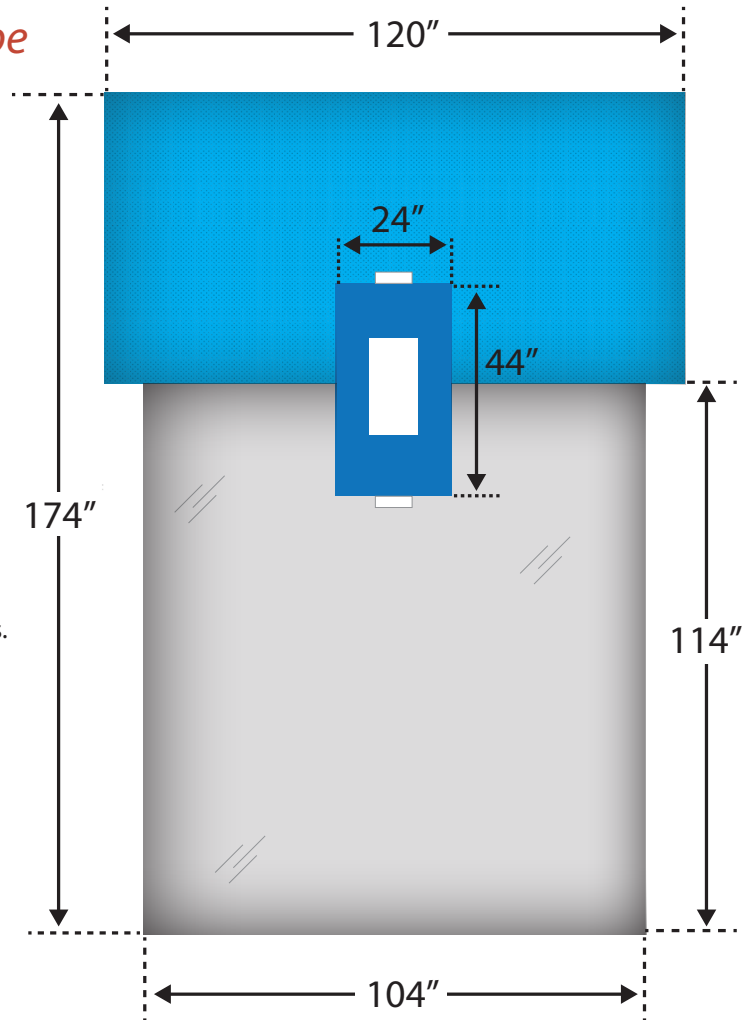


- Two pockets for easy instrument placement and access.
- Two adhesive tape strips for secure attachment.
- Clearview material for optimal visibility.

Attachable Fluid Collection Pouch



- Enclosed malleable strips for management of pouch fluids.
- 2" tape strips across top of pouch for secure attachment.
- Fluid exit port for leak-proof fluid drainage.



Part No	Description	Each / Case
1222-8652	Fracture Table Hip Drape, Sterile	18 / Case
1222-8666	Fluid Collection Pouch, Sterile	40 / Case
1501-1018	Instrument Pouch, Sterile	40 / Case

Exclusively distributed by:



IOT (Innovative Orthopedic Technologies) develops specialty solutions for the orthopedic market, with a focus on innovative patient positioning products that fit seamlessly into the operating environment. We aim to streamline procedures, support repeatability, and literally free the hands of the surgical team.

Unleashing your surgical genius.

United States:
Innovative Orthopedic Technologies, LLC
 1115 Hwy 124 · Winnie, TX 77665
 t: +1 409-658-1017 · e: info@iotiot.com · w: www.iotiot.com

International:
Innovative Orthopedic Technologies IOT AG
 Schochenmühlestrasse 4 · CH-6340 Baar · Switzerland
 t: +41 41 749 4099 · e: info@iotiot.com · w: www.iotiot.com

09001 Rev A 022618 © 2018 Innovative Orthopedic Technologies, LLC